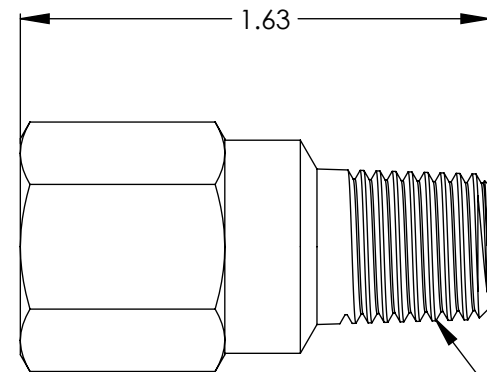
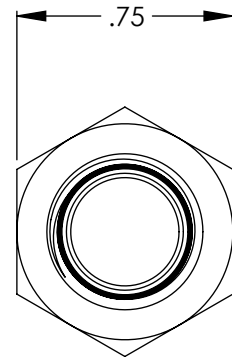
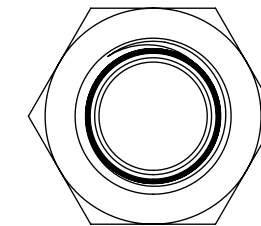
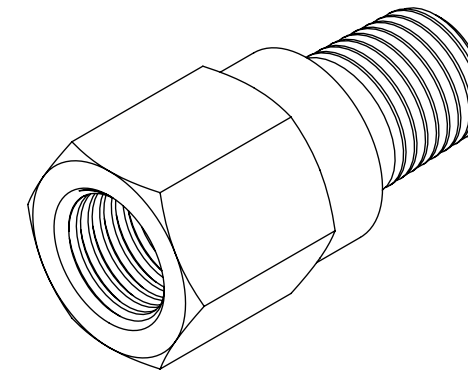


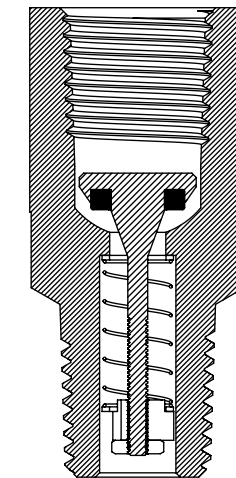
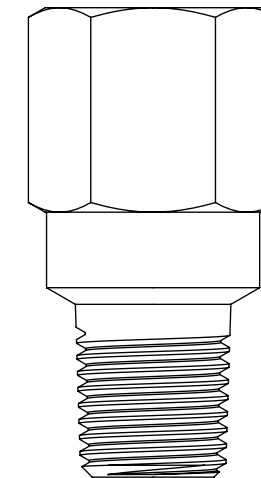
Ordering Code: 2XX-X-XXX-XXX

Example: 203-2-4MP-35

<u>Series</u>	<u>O-ring</u>	<u>Material</u>	<u>Connection</u>	<u>Crack Pressure</u>
200MP	03 - Viton 07 - Neoprene 13 - Buna 20 - Teflon 24 - Silicone 26 - Fluorosilicone 32 - Ethylene Propylene 35 - Kalrez	1C - Aluminum 2 - Brass 5 - 303 SST 5C - 316 SST 5L - 17-4 SST 4B - 12L154	2MP - 1/4" Male NPT x 1/4" Female NPT 3MP - 3/8" Male NPT x 3/8" Female NPT 4MP - 1/2" Male NPT x 1/2" Female NPT 6MP - 3/4" Male NPT x 3/4" Female NPT 8MP - 1" Male NPT x 1" Female NPT 10MP - 1-1/4" Male NPT x 1-1/4" Female NPT	.5-150 psi



1/4 -18 NPT INLET & OUTLET



↑  
Flow

**Body Material:** Aluminum\*, Brass\*, 303 SST\*, 316 SST\*, 17-4 SST, 12L14

**O-ring Material:** Buna-N\*\*, Ethylene Propylene\*\*, Viton\*\*, Neoprene, Silicone, Aflas, Teflon, Fluorosilicone, Kalrez

**Spring Material:** 302 SST - Any other spring materials consult factory

**Operating Pressure:** Vacuum to 200 psig (14 bar)

**Cracking Pressure:** .5 to 150 psig (.034 bar to 10.3 bar) - Any crack pressure above or below standard crack pressure range consult factory

**Cracking Pressure Tolerance:** < 2 psig (.14 bar): +/- 10% , 2 to 150 psig (.14 - 10.3 bar): +/- 5%

**Temperature Range:** -70°F to +400°F (-56°C to +204°C) - Based on o-ring and body material

**Connection Sizes:** (1/4" NPT to 1-1/4" NPT)\*\*\*

\* Standard body materials; Consult factory for availability of other body material

\*\* Standard o-ring materials; Consult factory for availability of other o-ring material

\*\*\* Standard connections sizes; Consult factory for availability of other connection sizes

Note: 1. Proper filtration is recommended to prevent damage to the o-ring or sealing surface

2. Valve may be assembled with o-rings lubricated with Krytox grease

<b>VALVE CHECK</b>		
<b>200MP Series Relief Valve - 2MP</b>		
SIZE <b>B</b>	Sales Drawing	REV <b>A</b>