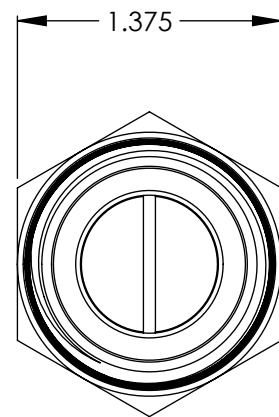
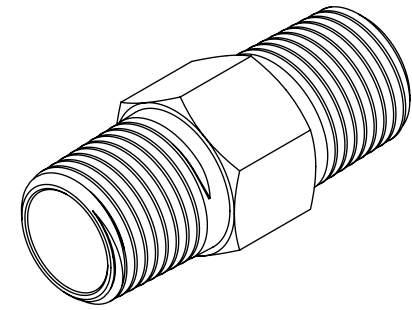
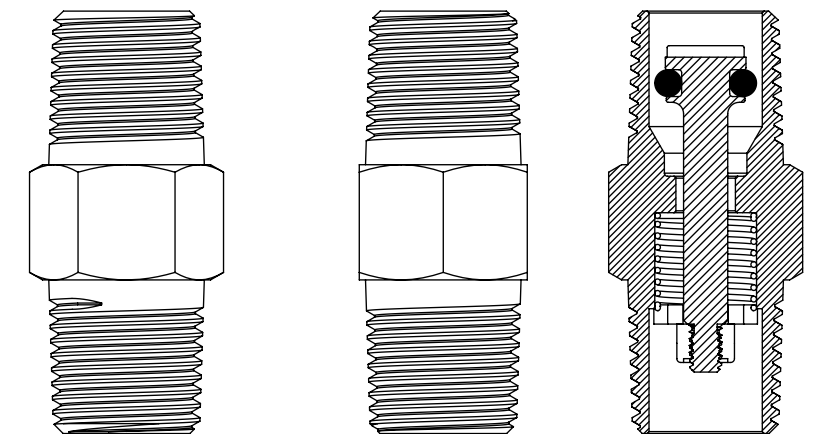
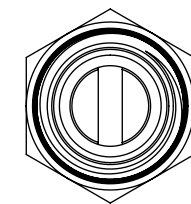
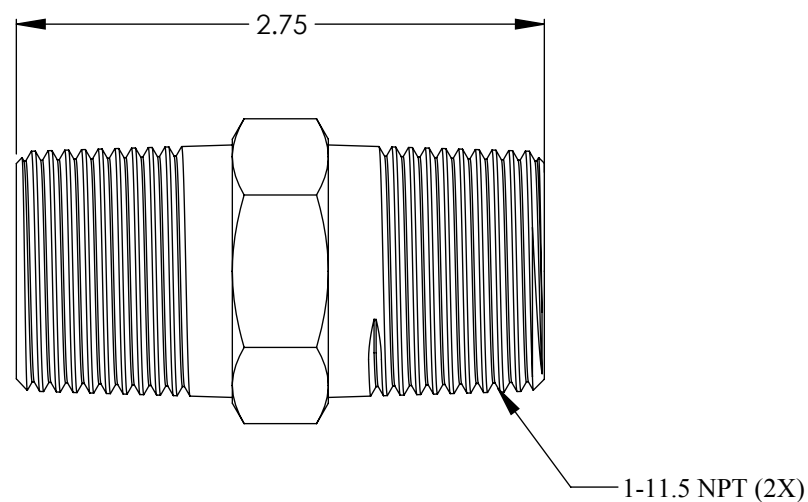


Ordering Code: H62XX-X-XXX-XX
 Example: H6203-2-2MM-1 (Standard Nyloc Lock Nut)
 Example: H6203-2-2MM-1-ML (Optional All Stainless Lock Nut)

Series	O-ring	Material	Connection	Crack Pressure (Vary per Configuration)
H6200	03 - Viton 13 - Buna 24 - Silicone 32 - Ethylene Propylene	2 - Brass 5 - 303 SST	1MM - 1/8" Male NPT x 1/8" Male NPT 1MP - 1/8" Male NPT x 1/8" Female NPT 1PP - 1/8" Female NPT x 1/8" Female NPT 2MM - 1/4" Male NPT x 1/4" Male NPT 2MP- 1/4" Male NPT x 1/4" Female NPT 2PP - 1/4" Female NPT x 1/4" Female NPT XXX - (Contact Valve Check For More Configurations)	



H6200 Series - 8MM



Body Material: 303 SST, Brass
O-ring Material: Buna-N, Ethylene Propylene, Viton, Silicone*
Spring Material: 302 SST - Any other spring materials consult factory
Lock Nut Material: Stainless Nyloc Nut**
Operating Pressure: Vacuum up to 3000 psig (206.8 bar)
Cracking Pressure: 1 to 20 psig (.068 bar to 1.37 bar) - Any crack pressure above or below standard crack pressure range consult factory
Cracking Pressure Tolerance: 1 to 20 psig (.07 - 10.3 bar): +/- 10%
Temperature Range: -40°F to +400°F (-40°C to +204°C) - Based on o-ring and body material
Connection Sizes: (1/8" NPT to 1" NPT)***

* Standard O-ring material; Consult factory for availability of other options
 ** Nyloc Nut Standard; All Stainless Lock Nut available
 *** Standard connections sizes; Consult factory for availability of other connection sizes

Note: 1. Proper filtration is recommended to prevent damage to the o-ring or sealing surface
 2. Valve may be assembled with o-rings lubricants or greases

VALVE CHECK		
H6200 Series Inline Check Valve - 8MM		
SIZE B	Sales Drawing	REV A