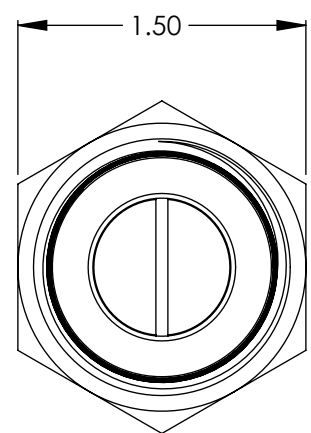
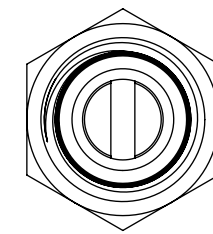
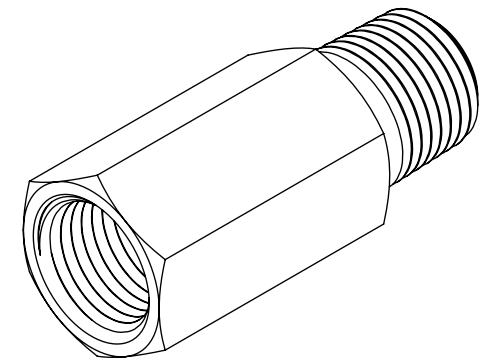


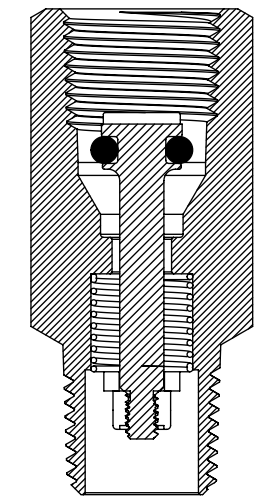
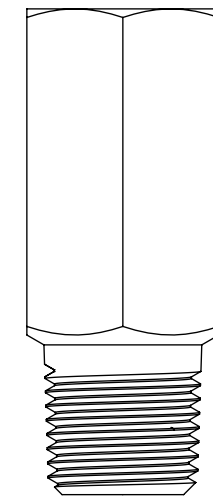
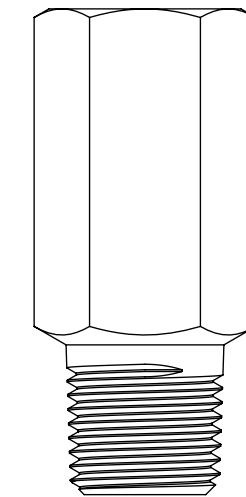
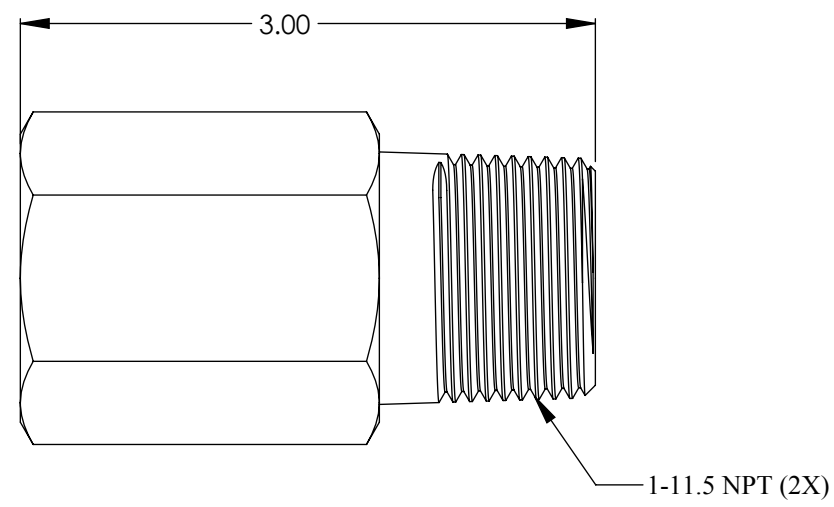
Ordering Code: H62XX-X-XXX-XX  
 Example: H6203-2-2MM-1 (Standard Nyloc Lock Nut)  
 Example: H6203-2-2MM-1-ML (Optional All Stainless Lock Nut)

Series	O-ring	Material	Connection
H6200	03 - Viton 13 - Buna 24 - Silicone 32 - Ethylene Propylene	2 - Brass 5 - 303 SST	1MM - 1/8" Male NPT x 1/8" Male NPT 1MP - 1/8" Male NPT x 1/8" Female NPT 1PP - 1/8" Female NPT x 1/8" Female NPT 2MM - 1/4" Male NPT x 1/4" Male NPT 2MP- 1/4" Male NPT x 1/4" Female NPT 2PP - 1/4" Female NPT x 1/4" Female NPT XXX - (Contact Valve Check For More Configurations)

Crack Pressure  
 (Vary per Configuration)



H6200 Series - 8MP



↑  
Flow

**Body Material:** 303 SST, Brass  
**O-ring Material:** Buna-N, Ethylene Propylene, Viton, Silicone\*  
**Spring Material:** 302 SST - Any other spring materials consult factory  
**Lock Nut Material:** Stainless Nyloc Nut\*\*  
**Operating Pressure:** Vacuum up to 3000 psig (206.8 bar)  
**Cracking Pressure:** 1 to 20 psig (.068 bar to 1.37 bar) - Any crack pressure above or below standard crack pressure range consult factory  
**Cracking Pressure Tolerance:** 1 to 20 psig (.07 - 10.3 bar): +/- 10%  
**Temperature Range:** -40°F to +400°F (-40°C to +204°C) - Based on o-ring and body material  
**Connection Sizes:** (1/8" NPT to 1" NPT)\*\*\*

\* Standard O-ring material; Consult factory for availability of other options  
 \*\* Nyloc Nut Standard; All Stainless Lock Nut available  
 \*\*\* Standard connections sizes; Consult factory for availability of other connection sizes

Note: 1. Proper filtration is recommended to prevent damage to the o-ring or sealing surface  
 2. Valve may be assembled with o-rings lubricants or greases

<b>VALVE CHECK</b>		
<b>H6200 Series Inline Check Valve - 8MP</b>		
SIZE <b>B</b>	Sales Drawing	REV <b>A</b>