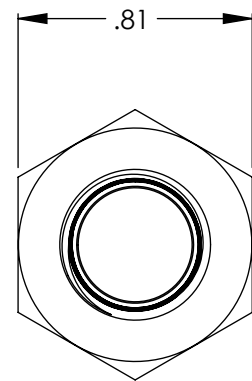
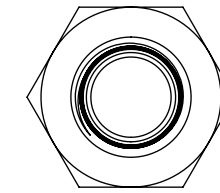
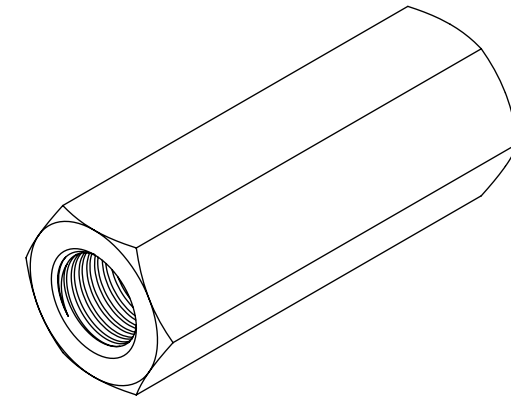


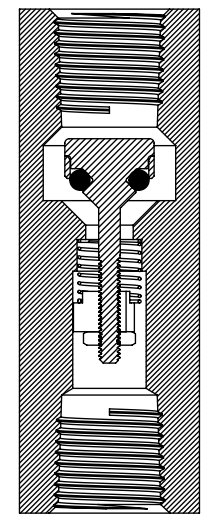
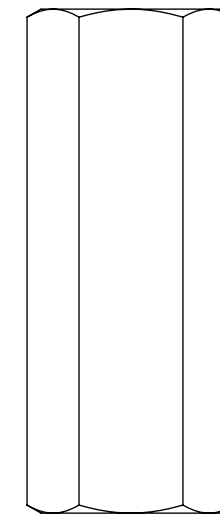
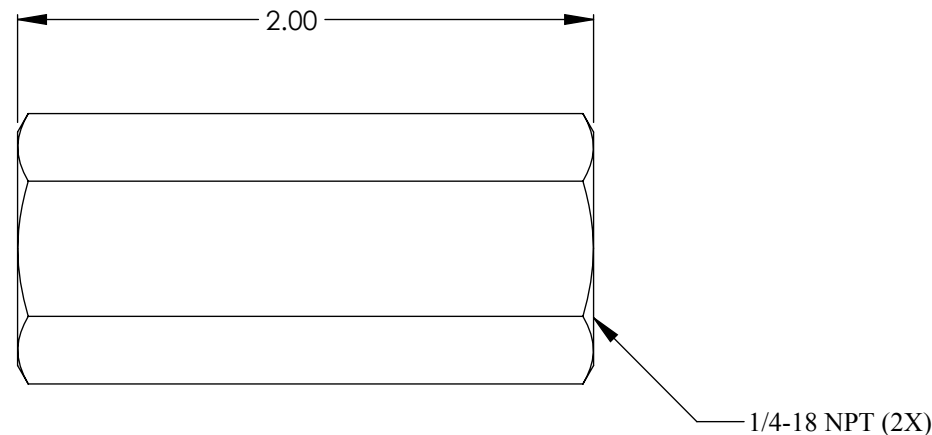
Ordering Code: 63XX-X-XXX-XXX

Example: 6313-5C-2PP-150

Series	O-ring	Material	Connection	Crack Pressure
6300	03 - Viton 07 - Neoprene 13 - Buna 20 - Teflon 24 - Silicone 26 - Fluorosilicone 32 - Ethylene Propylene 35 - Kalrez	1C - Aluminum 2 - Brass 5 - 303 SST 5C - 316 SST 4B - 12L14	1PP - 1/8" Female NPT x 1/8" Female NPT 2PP - 1/4" Female NPT x 1/4" Female NPT 3PP - 3/8" Female NPT x 3/8" Female NPT 4PP - 1/2" Female NPT x 1/2" Female NPT	.5-250 psi



6300 Series - 2PP



**Body Material:** Brass\*, 303 SST\*, 316 SST\*, Aluminum, 12L14

**O-ring Material:** Buna-N\*\*, Ethylene Propylene\*\*, Viton\*\*, Teflon\*\*, Neoprene, Silicone, Aflas, Florosilicone, Kalrez

**Spring Material:** 302 SST - Any other spring materials consult factory

**Operating Pressure:** Vacuum to 10000 psig (689 bar)

**Cracking Pressure:** .5 to 250 psig (.034 bar to 17.2 bar) - Any crack pressure above or below standard crack pressure range consult factory

**Temperature Range:** -70 °F to +400 °F (-56 °C to +204 °C) - Based on o-ring and body material

**Connection Sizes:** (1/8" FNPT x 1/8" FNPT to 1/2" FNPT x 1/2" FNPT)\*\*\*

\* Standard body materials; Consult factory for availability of other body material

\*\* Standard o-ring materials; Consult factory for availability of other o-ring material

\*\*\*Standard connections sizes; Consult factory for availability of other connection sizes

Note: Proper filtration is recommended to prevent damage to the o-ring or sealing surface



6300 Series Inline Check Valve - 2PP

SIZE		REV
B	Sales Drawing	A