

Ordering Code: U6XX-X-XXX-.5

Example: U603-2-10PP-.5

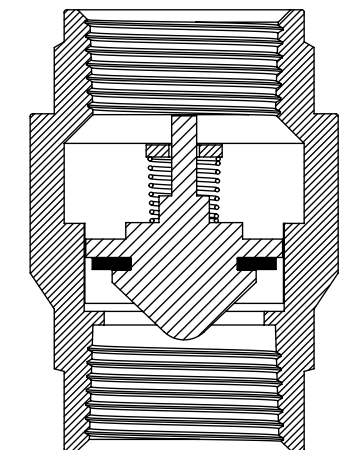
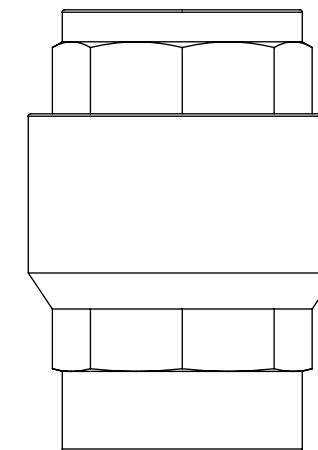
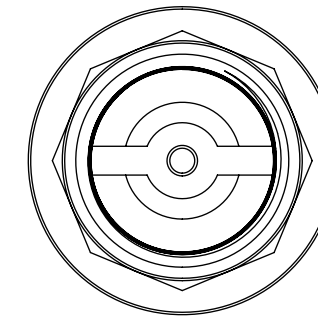
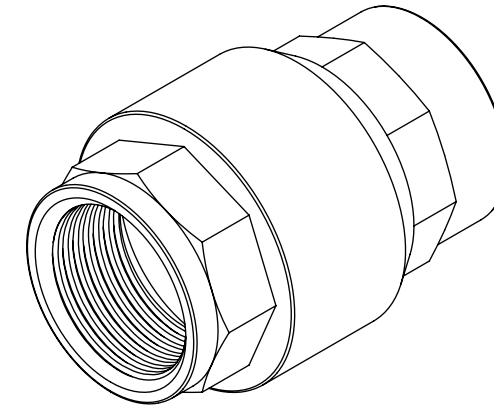
Lead Free Ordering Option: U603-2LF-10PP-.5

Series	O-ring	Material
U600	03 - Viton	2 - Brass
	13 - Buna	2LF - Brass

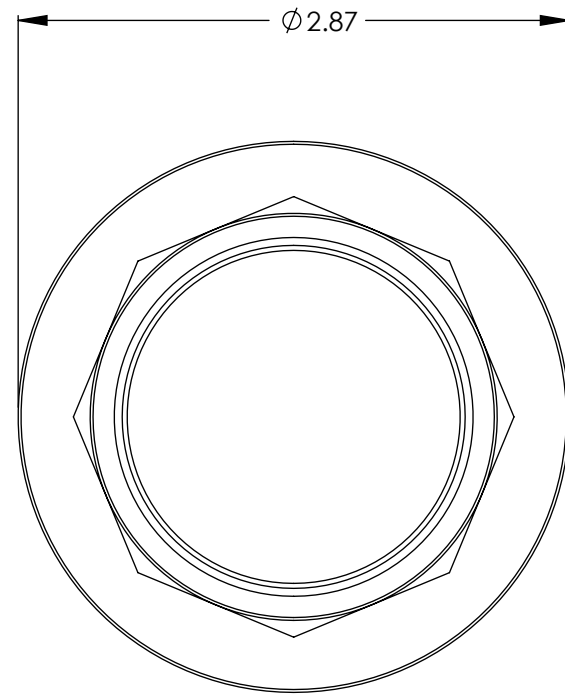
Connection

- 2PP - 1/4" Female NPT x 1/4" Female NPT
- 3PP - 3/8" Female NPT x 3/8" Female NPT
- 4PP - 1/2" Female NPT x 1/2" Female NPT
- 6PP - 3/4" Female NPT x 3/4" Female NPT
- 8PP - 1" Female NPT x 1" Female NPT
- 10PP - 1-1/4" Female NPT x 1-1/4" Female NPT
- 12PP - 1-1/2" Female NPT x 1-1/2" Female NPT
- 16PP - 2" Female NPT x 2" Female NPT
- 20PP - 2-1/2" Female NPT x 2-1/2" Female NPT
- 24PP - 3" Female NPT x 3" Female NPT
- 32PP - 4" Female NPT x 4" Female NPT

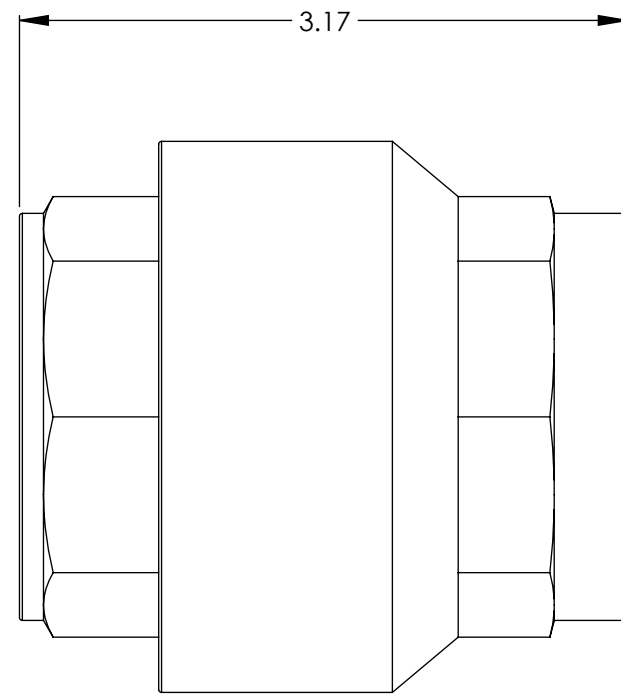
Crack Pressure
.5 psi



↑
Flow



U600 Series - 12PP



1-1/2 - 11-1/2 NPT INLET
& OUTLET

Body Material: Brass
O-ring Material: Buna-N, Viton
Spring Material: Stainless Steel
Max Operating Pressure: (1/4" to 2" NPT) 400 psig WOG (27.5 bar) / (2-1/2" to 4" NPT) 175 psig WOG (12 bar)
Cracking Pressure: .5 psi (.034 bar)
Temperature Range: Buna-N: -10°F to +210°F (-12°C to +98.8°C) / Viton: +366°F (+185°C)
Connection Sizes: 1/4" NPT to 4" NPT
Certified: ANSI/NSF 61 (Buna-N only with Lead Free Option)

Note: 1. Proper filtration is recommended to prevent damage to the o-ring or sealing surface
2. Lead Free option available

VALVE CHECK		
U600 Series Inline Check Valve - 12PP		
SIZE B	Sales Drawing	REV A